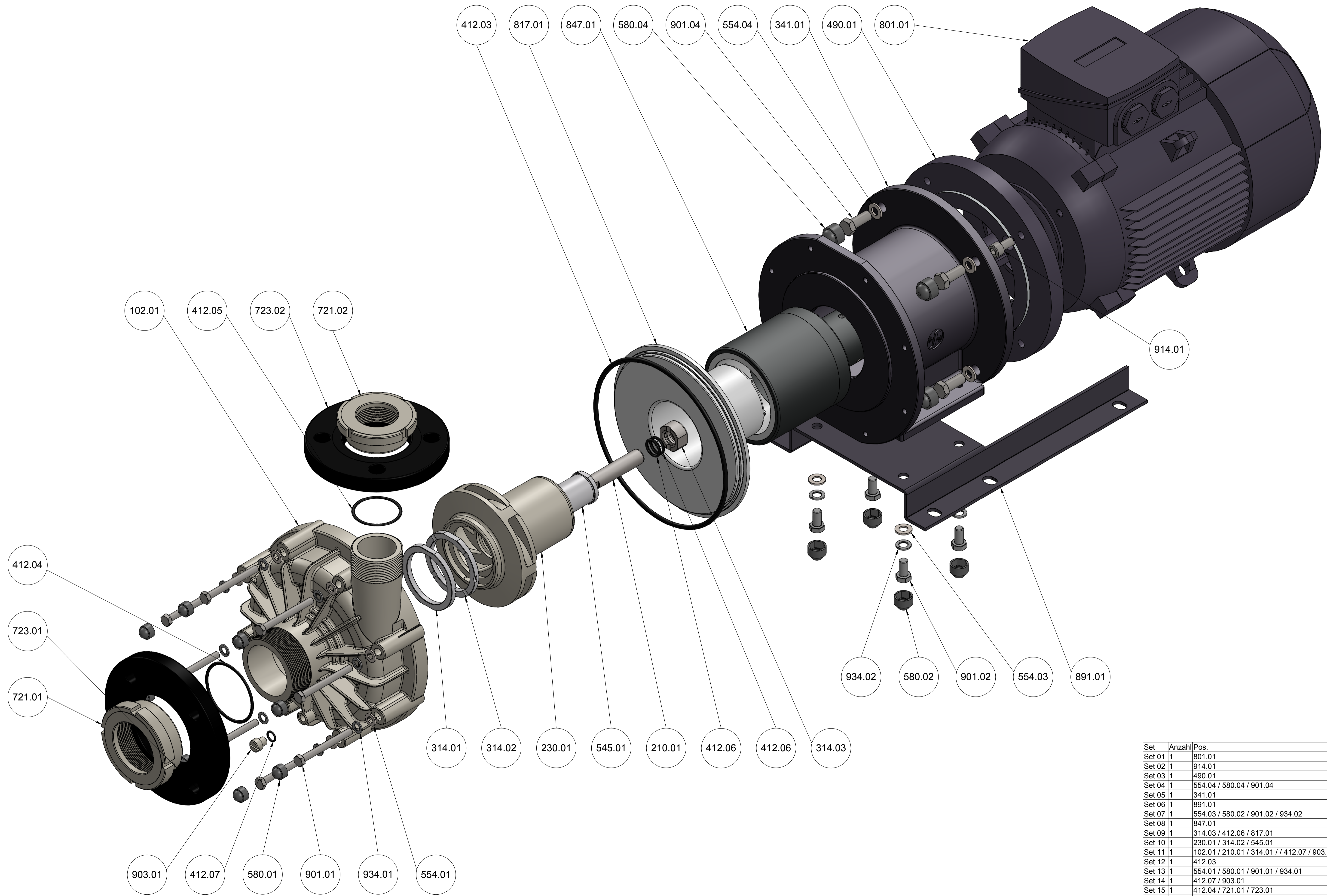



external drawing number:			
CAD drawing	Copyright reserved		
designed:	date:	name:	part name:
checked:	03.01.18		SHM65-50 5,5 / 7,5kW DIN-Flansch
<b>Stübbe</b> Partner for Solutions		ASV Stübbe GmbH & Co.KG Postfach 1765 D-32291 Vlotho	ident no.: 180736 index: - format: A1 sheet: 1 of 2 sheets
This is a drawing derivation of a 3D model. Changes must be carried out in the 3D model.		deduced from:	filename: 180736_SHM65-50 5,5-7,5kW DIN-Flansch



Set	Anzahl	Pos.
Set 01	1	801.01
Set 02	1	914.01
Set 03	1	490.01
Set 04	1	554.04 / 580.04 / 901.04
Set 05	1	341.01
Set 06	1	891.01
Set 07	1	554.03 / 580.02 / 901.02 / 934.02
Set 08	1	847.01
Set 09	1	314.03 / 412.06 / 817.01
Set 10	1	230.01 / 314.02 / 545.01
Set 11	1	102.01 / 210.01 / 314.01 // 412.07 / 903.01
Set 12	1	412.03
Set 13	1	554.01 / 580.01 / 901.01 / 934.01
Set 14	1	412.07 / 903.01
Set 15	1	412.04 / 721.01 / 723.01
Set 16	1	412.05 / 721.02 / 723.02

external drawing number: \_\_\_\_\_

CAD drawing	Copyright reserved	date: _____	part name: SHM65-50 5,5 / 7,5kW DIN-Flansch
designed: _____	checked: _____	designed: 03.01.18	checked: _____


**Stübbe** ASV Stübbe GmbH & Co.KG  
 Partner for Solutions Postfach 1765 D-32591 Viethe

This is a drawing derivation of a 3D model. Changes must be carried out in the 3D model.

ident no.: **180736** index: - format: **A1** sheet: **2** of 2 sheets  
 deduced from: \_\_\_\_\_ filename: 180736\_SHM65-50 5,5-7,5kW DIN-Flansch

Respect protective note according to DIN ISO 15016